



# Cub

## Installation Instructions

# WARM AIR HAND DRYER INSTALLATION AND MAINTENANCE INSTRUCTIONS

## IMPORTANT

- These appliances are intended for connection to fixed wiring.
- Check that the electrical rating shown on the Dryers matches the mains supply.
- These appliances are double insulated and do not require an earth connection.
- All installations must be supervised by a qualified electrician.
- Installations and wiring must conform to current IEE Regulations (UK), local or appropriate regulation (other countries).

## INSTALLATION

**LOCATION - DO NOT POSITION ABOVE A WASH BASIN, SHELF OR REFLECTIVE SURFACE AS THIS MAY CAUSE SENSOR MALFUNCTION. HEIGHT OF THE WARM AIR OUTLET ABOVE FLOOR LEVEL :**

<b>MEN</b>	- 120 cm
<b>WOMEN</b>	- 110 cm
<b>CHILDREN</b>	- 90 cm
<b>DISABLED</b>	- 97 cm

**Cover** - Remove the 2 securing screws and lift the bottom face of the cover. **Refit** cover in accordance with instructions shown below. (Note: Ensure that the top clip feature between the cover and chassis is correctly aligned and fully engaged.)

**Mounting** - Mark and drill three holes (plug to suit 4.8 mm dia x 40 mm long wood screws) to suit chassis fixing points.

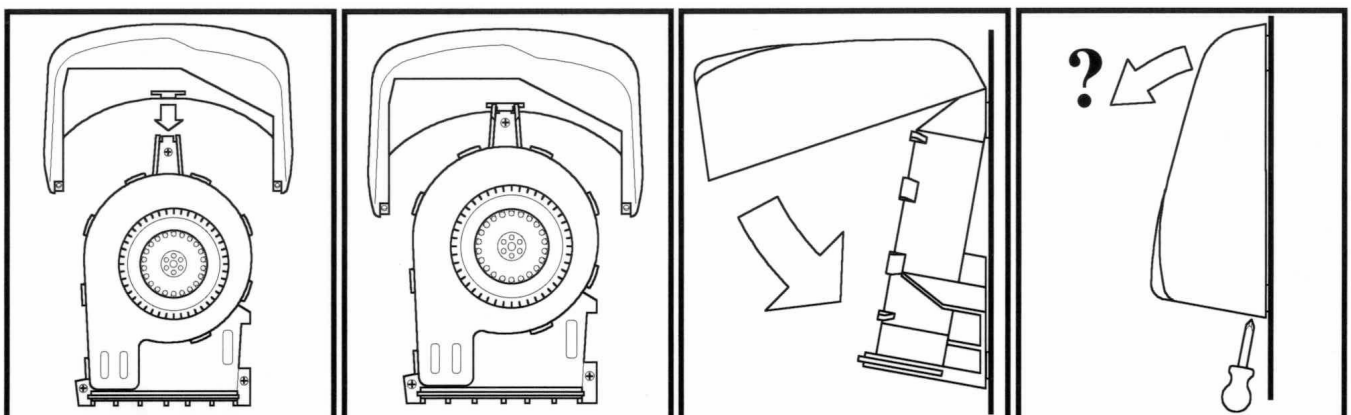
**Wiring** - Install by permanent connection with fixed wiring using cable suitable for 10A loading. A fused double pole isolating switch (Contact separation at least 3 mm in both poles) must be provided in the wiring adjacent to the dryer. Cable entry for surface wiring is at the bottom right hand corner and for concealed wiring at the rear. The neutral wire should be connected to the terminal marked 'N' and the live wire to the terminal marked 'L'. Tighten the cable clamp, replace the cover and switch on the electrical supply.

**Note** - This unit is double insulated and should not be fitted with an earth (ground) wire.

**Testing** - Start the dryer by placing hands approximately 10 cm below the air outlet. It will switch off automatically when hands are removed. Repeat the test several times to ensure the unit is functioning correctly.

## MAINTENANCE

Prior to carrying out any maintenance, ensure that the mains electrical supply has been disconnected. The cover should be wiped occasionally with a damp cloth to remove surface marks. Do not use abrasive cleaning agents. Every six months (more frequently in a dusty environment) the inlet should be cleaned with a small brush to remove accumulated debris.



1. Fit cover to chassis while looking from below

2. Align and engage tab on cover with centre of bracket on chassis

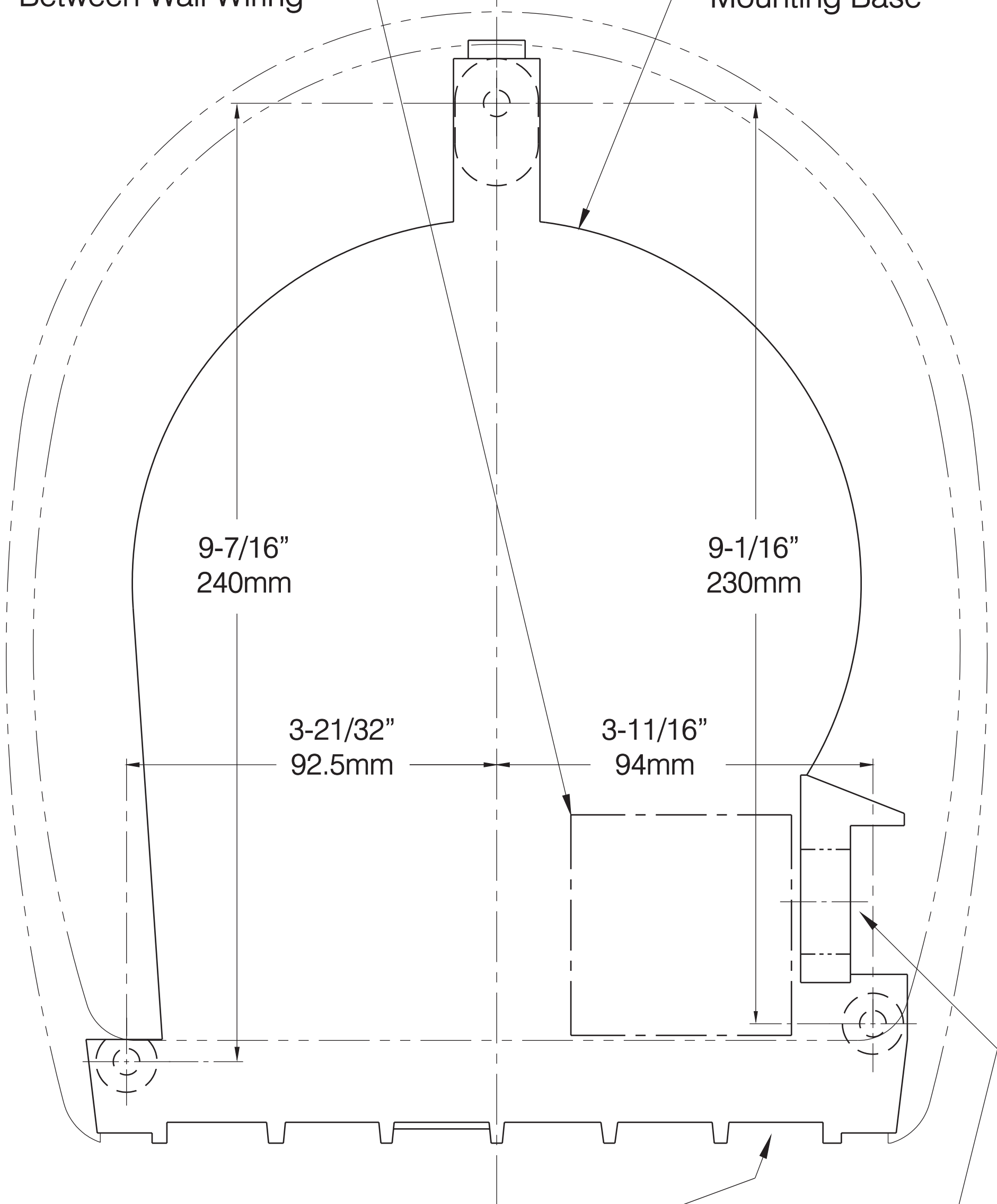
3. Lower cover onto chassis

4. Check fit at top and secure with screws at base

Entrance Location for  
Between Wall Wiring

⌀

Mounting Base



Entry Point for  
Surface Mounted Wiring

Recess for  
Passage of Wiring